

Post Office Box 911166
 St. George, UT 84791-1166
 (800)732-4527 Toll Free
 (435)986-1583

www.seaglasspools.com
 mypool@seaglasspools.com

POOL SHAPE

- RECTANGLE
- GRECIAN OVAL BOOMERANG (OVER FOR TOP VIEW DIMENSIONS) →
- ▶ FOR KIDNEY OR OTHER FREEFORMS, SEE OUR FORM FOR MEASURING A KIDNEY/FREEFORM
- ▶ WE HAVE MEASUREMENTS FOR MOST KIT POOLS, CALL US FOR HELP IN IDENTIFICATION

STANDARD KIT POOL

BRAND _____ TYPE _____ SIZE _____ DEPTH _____ OPTIONS _____

BEADED LINER OVERLAP LINER _____ INCHES

Date _____

First Name _____

Last Name _____

Phone # _____

Email _____

Address _____

City _____

State _____

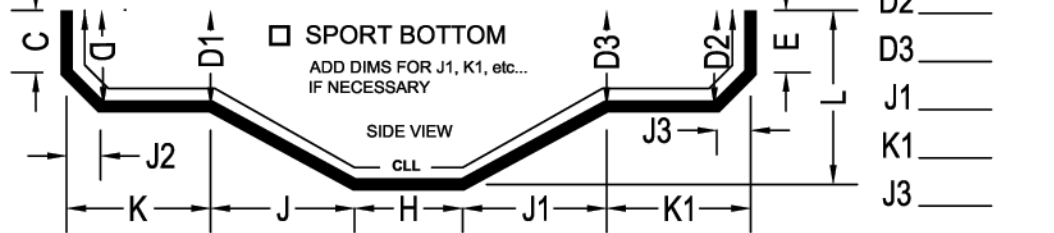
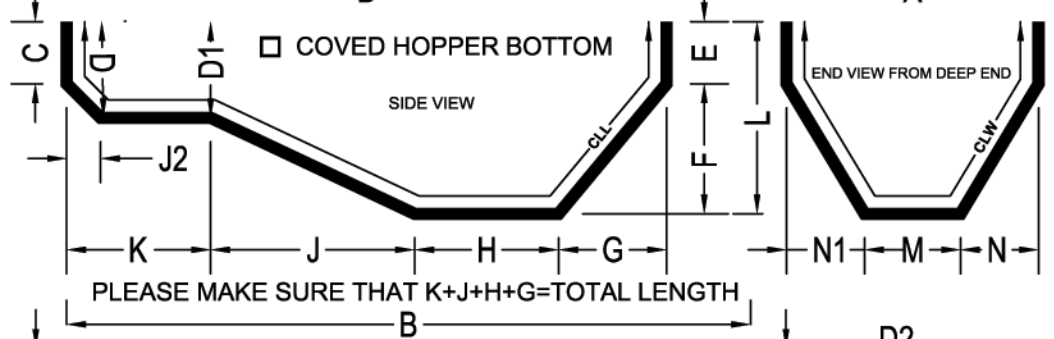
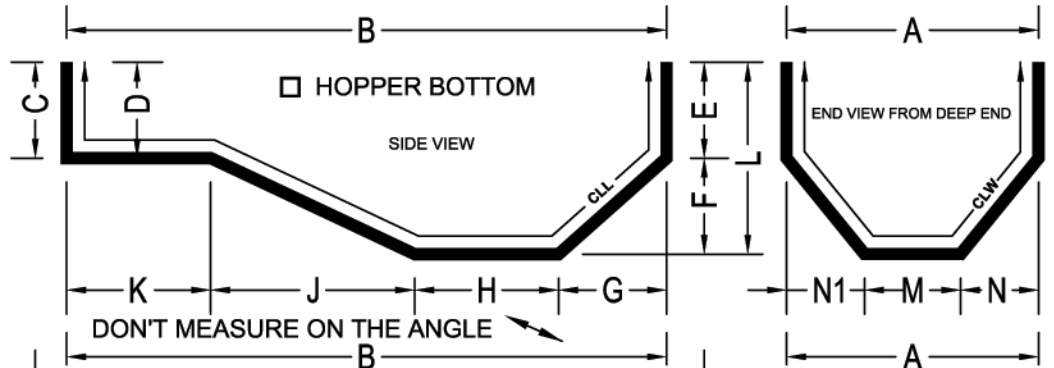
Zip Code _____

Gauge/mil(circle) 20 30 30/20

Liner Pattern _____

Additional Notes _____

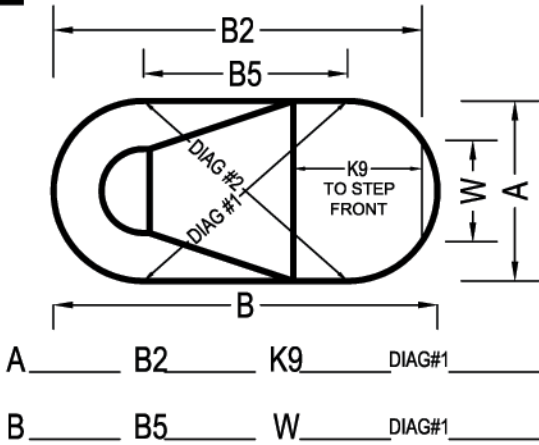
Sketch Area



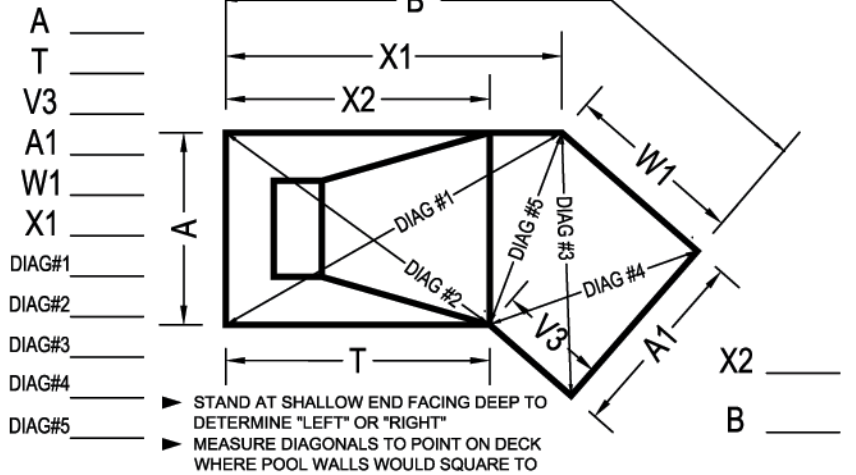
A _____ WIDTH	N1 _____ SIDE SLOPE	C _____ WALL DEPTH	POOL CORNERS <input type="checkbox"/> SQUARE <input type="checkbox"/> " RADIUS (INCHES) <input type="checkbox"/> " DIAGONAL (INCHES)
B _____ LENGTH	M _____ HOPPER WIDTH	E _____ BACK WALL DEPTH	
L _____ DEEP DEPTH	N _____ SIDE SLOPE	J2 _____ SHALLOW END COVE	
D _____ SHALLOW DEPTH	S1 _____ SAFTEY LEDGE (SIDES)	F _____ DEPTH BELOW WALL	
D1 _____ BREAK DEPTH	BOWL SHAPED BOTTOM		
K _____ SHALLOW	CLW _____ CENTERLINE WIDTH	CLL _____ CENTERLINE LENGTH	P _____ PERIMETER
J _____ RAMP	CLW & CLL Dimensions are not required for all pools, yet they can be very helpful to us on any pool, especially those that have rounded features in the bottom of the pool. They are REQUIRED on pools that have a bowl shaped bottom. In order to ensure a good fit on your custom liner, you will need to take a number of detailed measurements on your pool. Do not estimate dimensions, please round to nearest quarter-inch.		
H _____ HOPPER	LINER CUT <input type="checkbox"/> I prefer a very full liner cut <input type="checkbox"/> I prefer a regular liner cut <input type="checkbox"/> This pool would be easier to fit with a shallower cut		
G _____ BACK SLOPE	PLEASE FILL OUT ALL INFORMATION ON OTHER SIDE →		
S _____ SAFTEY LEDGE(BACK)			

▶ USE FRONT OF FORM TO FILL IN SIDE VIEW

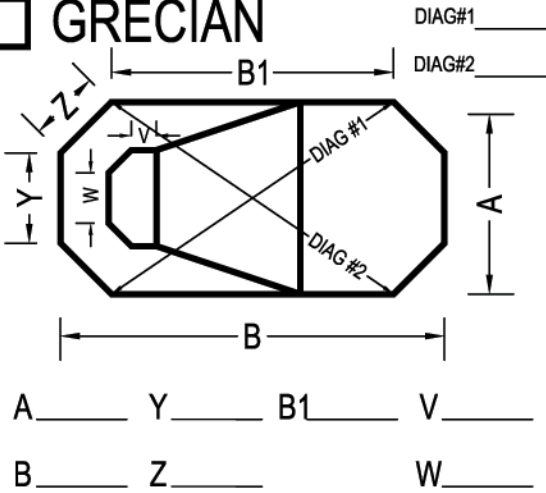
OVAL Use B2 if pool has flat step at end
Show step width as W



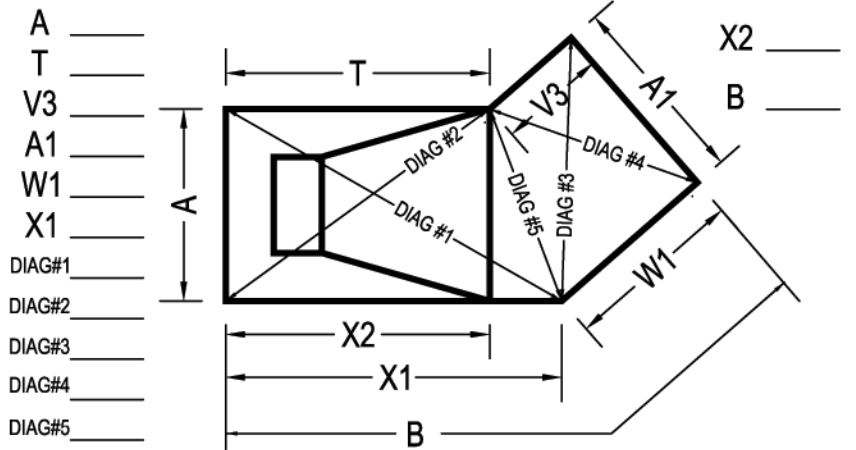
LAZY L OR BOOMERANG LEFT



GRECIAN



LAZY L OR BOOMERANG RIGHT

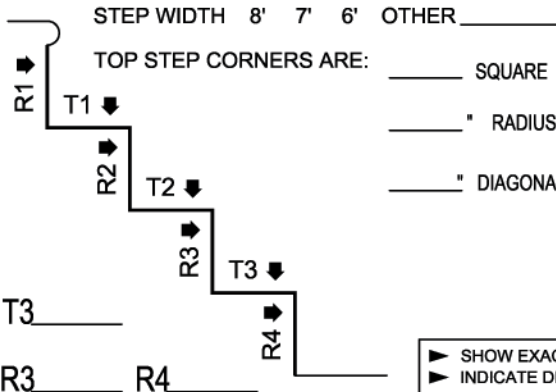


STAIRS

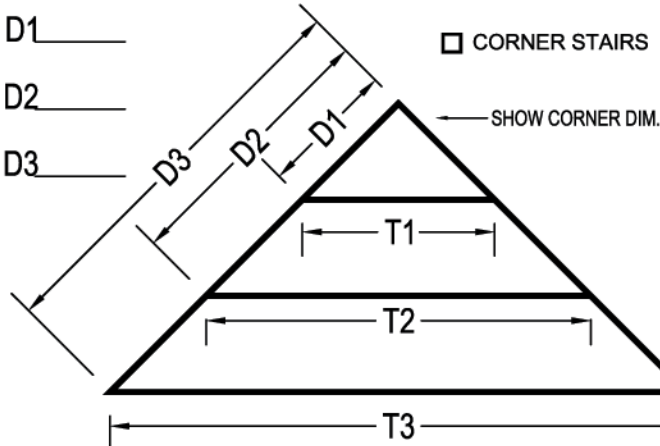
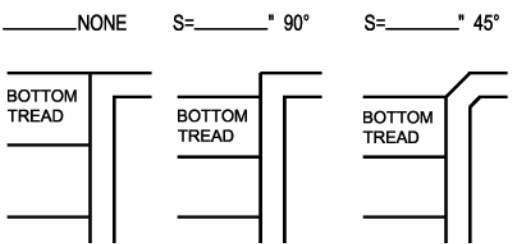
DO YOU REQUIRE ROD SLEEVES?

YES NO

- ▶ MEASURE TO THE NEAREST 1/4"
- ▶ R1 IS MEASURED TO THE BOTTOM LIP OF LINER TRACK
- ▶ MAKE SURE R1+R2+R3+R4 ARE EQUAL TO WALL HEIGHT



SETBACK FROM POOL WALL TO BOTTOM RISER:



- ▶ SHOW EXACT STAIR LOCATION BY SKETCHING POOL BELOW
- ▶ INDICATE DEEP AND SHALLOW ENDS
- ▶ ATTACH ADDITIONAL DRAWINGS IF REQUIRED

**** INDICATE PREFERRED LOCATION FOR WALL SEAM****